

LPG ETALCOMPT

Master meter dedicated to accuracy checking for LPG metering systems

► Application

- Direct reading of metered volume for quick comparison with the truck meter
- Easy checking of accuracy shift
- For calibration purpose or spot checking
- Equipment fully adapted to LPG chemical & pressure characteristics



LPG ETALCOMPT in situation

Constitution

LPG ETALCOMPT

- UNI Electronic indicator (ATEX)
- 2" ADRIANE LPG Turbine (500L/min)
- Removable upstream flow conditioner
- Sightglass
- Certified pressure manometer
- Thermo well for temperature checking
- Protective transportation suitcase



LPG ETALCOMPT protective transport suitcase

ALMA advantages

- Master meter certified (Certificate N°LNE-20378)
- Easy to use & carry
- Verify the accuracy of all type of meters
- Closed loop verification
- Low internal volume (no draining)
- Weight < 14 kg
- Protective transport suitcase supplied
- Calibration report & accuracy calculation file supplied

► ALMA, certified products



ATEX Conformity
Zone 1



ISO 9001 : 2008



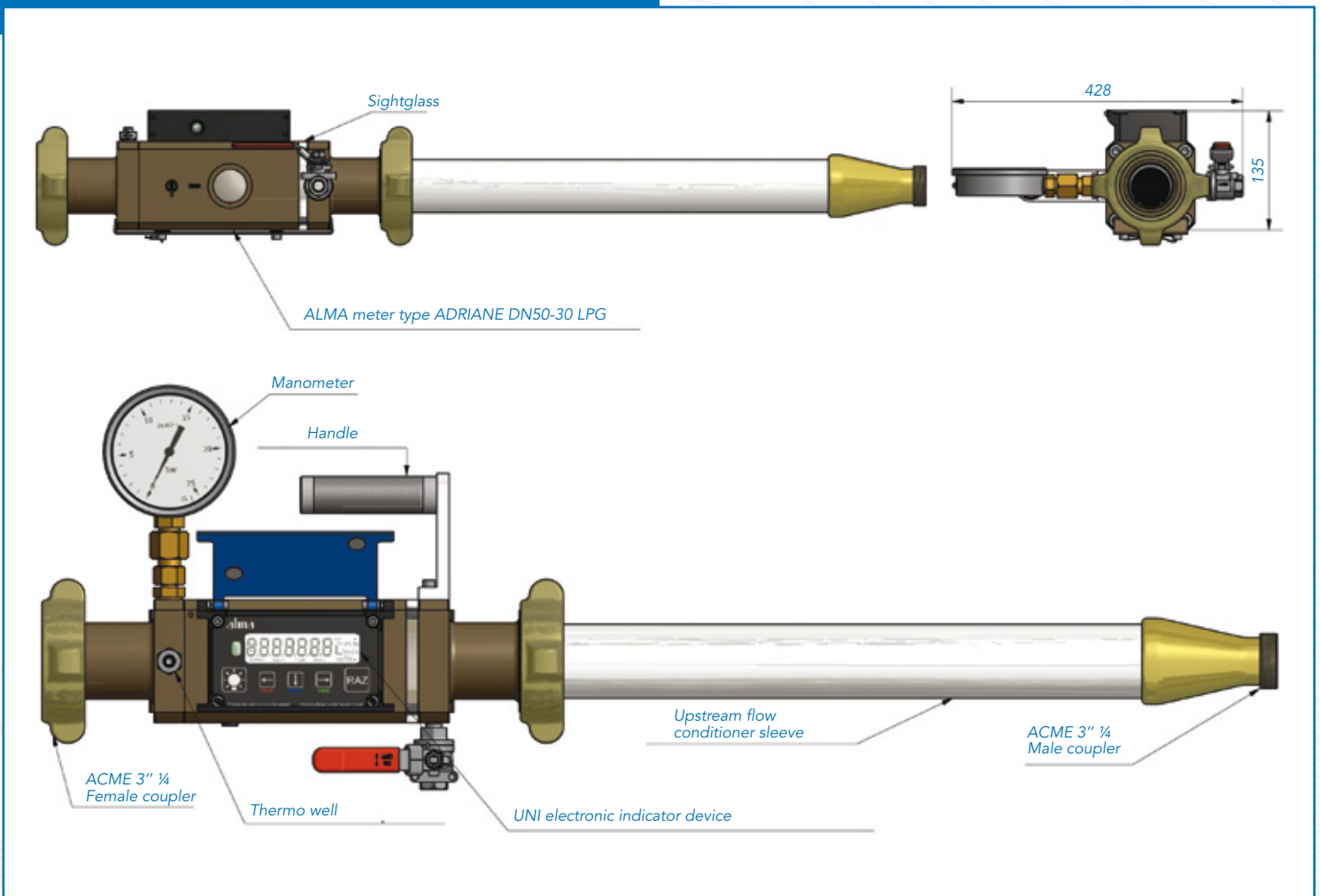
European Certifications in accordance with directives concerning equipments installed in explosive area

► **Technical specifications**

	Specification
Liquids Measured	LPG, Propane, Butane
Accuracy	0,3 %
Flow rate range	6-30 m ³ /h (100 to 500L/min)
Repeatability	< 0,05 %
Temperature	-25°C/+55°C
Pressure	20 bars max.
ATEX classification	Ex II G Eex ia IIB T4



Video available on following link:
<http://www.youtube.com/watch?v=UpVU4QTuVzg>



FC015EN - 02/15 - Not contractual document