

Additive Injection Device MIV10.2D

MIV10.2D module is an injection solution for storage and loading terminals allowing an accurate proportion of additive or colorant during deliveries in accordance with a metrological scope

► Applications

- Dedicated to custody liquid measuring system other than water -type MIXCOMPT (EC Type N°LNE-23911)
- Extension of product range (specific gasoline and diesel)
- Injection of additives, coloring and/or denaturant solutions or secondary product with suitable ratio
- Sampling

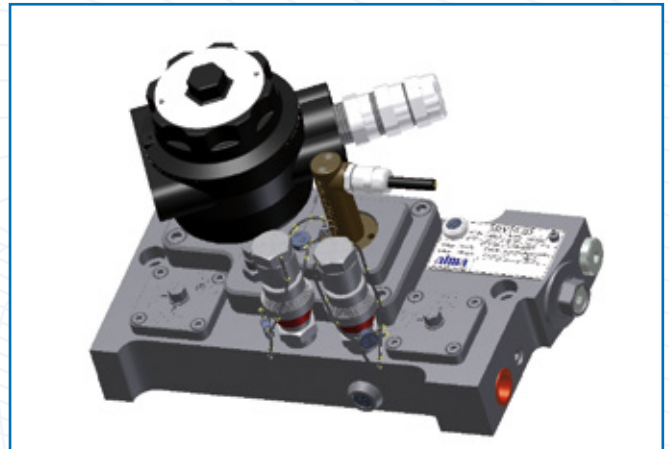


MIV10.2D additive injection device installed on truck loading station

Constitution

Additive Injection Device MIV10.2D

- **Stainless Steel drilled unit including:**
 - 1 oval wheel meter
 - 1 filter
 - 1 3-way valve for calibration
 - 1 shut-off valve
 - 1 flow adjusting screw
- 1 pulse transducer 2H00
- 1 solenoid valve
- 2 quick couplers for control or sampling



MIV10.2D – 3D view with sealing

ALMA Advantages

- **EC Type Examination Certificate N°LNE-22829 (MID)**
- High accuracy proportioning for injections
- Large range of flow and viscosity
- Plug & play
- Compact size
- In-house R&D, manufacturing & calibration
- Easy integration into all types of loading skids

► ALMA, certified products



ATEX Conformity
Zone 1



ISO 9001 : 2008



European Certifications in accordance with directives concerning measuring instruments and equipments installed in explosive area

► Technical specifications

Construction	
Stainless steel	316L
Seals	VITON
Inlet / Outlet	3/8" NPT
Filtration	74 µm (200 Mesh)
Weight	8 kg
Range	
Flow rate	20 to 200 l/h
Viscosity	2 to 12 cSt
Differential pressure	10 bars max.
Metered liquids	Coloring or denaturant Solution for petroleum liquid
Accessories	
Piloted through ALMA MICROCOMPT+ batch controller or others	
Pressure tapping or Almascope (for MIV10.2D calibration)	

Performances	
Accuracy	+/- 0,5%
Pulse rate	1000 pulse /liter
Minimum measured quantity	0,2 liter
Pressure drop	< 0,2 bar at 100 l/h
Test pressure	17 bars
Liquid temperature	-10°C to +50°C

Functions	
Metering by double pulse transmission (square signals 0-12V) by 12Vdc powered, ATEX	
Control by ATEX 2/2 NC – 230Vac solenoid valve	
Injection calibration and leakage test of injection point	
Flow setting and filtration integrated	
Inlet pressure tapping	

